

# Technical data sheet



## Product features

### Fry-top griddle plate electric smooth chrom

<b>Model</b>	<b>SAP Code</b>	00013928
FTHC 60 ED + 2x KD 30 T	<b>A group of articles - web</b>	Grills and grill plates



- Top type: Smooth
- Griddle dimensions [mm x mm]: 650 x 480 + 320 x 380 + 320 x 380
- Griddle thickness [mm]: 10.00
- Container for liquid fat: Yes
- Independent heating zones: Separate control for each heating zone on the bottom plate and for the top plates
- Maximum device temperature [°C]: 300
- Surface finish: polished chrome 0.03 mm
- Removable rim: No

<b>SAP Code</b>	00013928	<b>Power electric [kW]</b>	12.000
<b>Net Width [mm]</b>	658	<b>Loading</b>	230/400 V / 1/3N - 50 Hz
<b>Net Depth [mm]</b>	654	<b>Griddle dimensions [mm x mm]</b>	650 x 480 + 320 x 380 + 320 x 380
<b>Net Height [mm]</b>	406	<b>Top type</b>	Smooth
<b>Net Weight [kg]</b>	60.00		

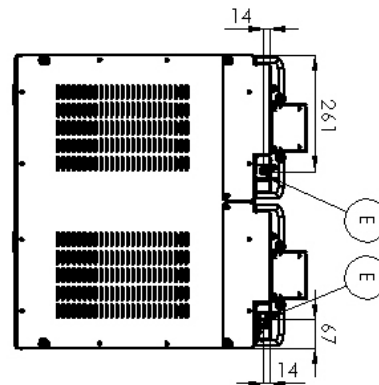
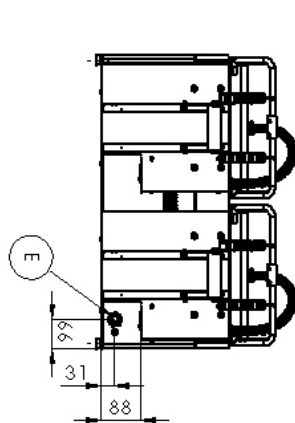
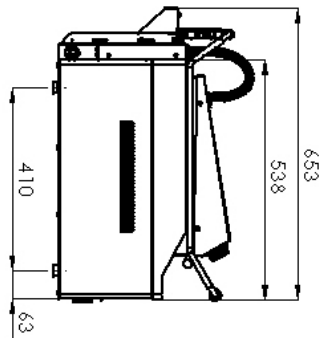
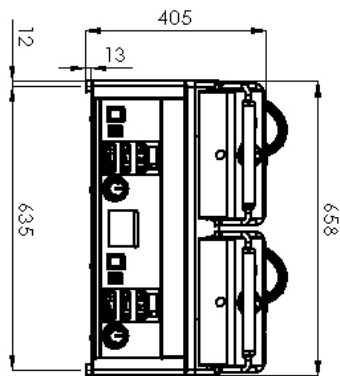
# Technical data sheet



Technical drawing

## Fry-top griddle plate electric smooth chrom

<b>Model</b>	<b>SAP Code</b>	00013928
FTHC 60 ED + 2x KD 30 T	<b>A group of articles - web</b>	Grills and grill plates



# Technical data sheet



## Technical parameters

### Fry-top griddle plate electric smooth chrom

<b>Model</b>	<b>SAP Code</b>	00013928
FTHC 60 ED + 2x KD 30 T	<b>A group of articles - web</b>	Grills and grill plates

**1. SAP Code:**

00013928

**2. Net Width [mm]:**

658

**3. Net Depth [mm]:**

654

**4. Net Height [mm]:**

406

**5. Net Weight [kg]:**

60.00

**6. Gross Width [mm]:**

725

**7. Gross depth [mm]:**

710

**8. Gross Height [mm]:**

540

**9. Gross Weight [kg]:**

65.00

**10. Device type:**

Electric unit

**11. Construction type of device:**

Table top

**12. Power electric [kW]:**

12.000

**13. Loading:**

230/400 V / 1/3N - 50 Hz

**14. Protection of controls:**

IPX4

**15. Exterior color of the device:**

Stainless steel

**16. Material:**

AISI 430

**17. Indicators:**

operation and warm-up

**18. Surface finish:**

polished chrome 0.03 mm

**19. Maximum device temperature [°C]:**

300

**20. Minimum device temperature [°C]:**

50

**21. Griddle dimensions [mm x mm]:**

650 x 480 + 320 x 380 + 320 x 380

**22. Griddle thickness [mm]:**

10.00

**23. Container for liquid fat:**

Yes

**24. Independent heating zones:**

Separate control for each heating zone on the bottom plate and for the top plates

**25. Removable rim:**

No

**26. Uniform heating:**

Yes

**27. Top type:**

Smooth

**28. Cross-section of conductors CU [mm<sup>2</sup>]:**

10